

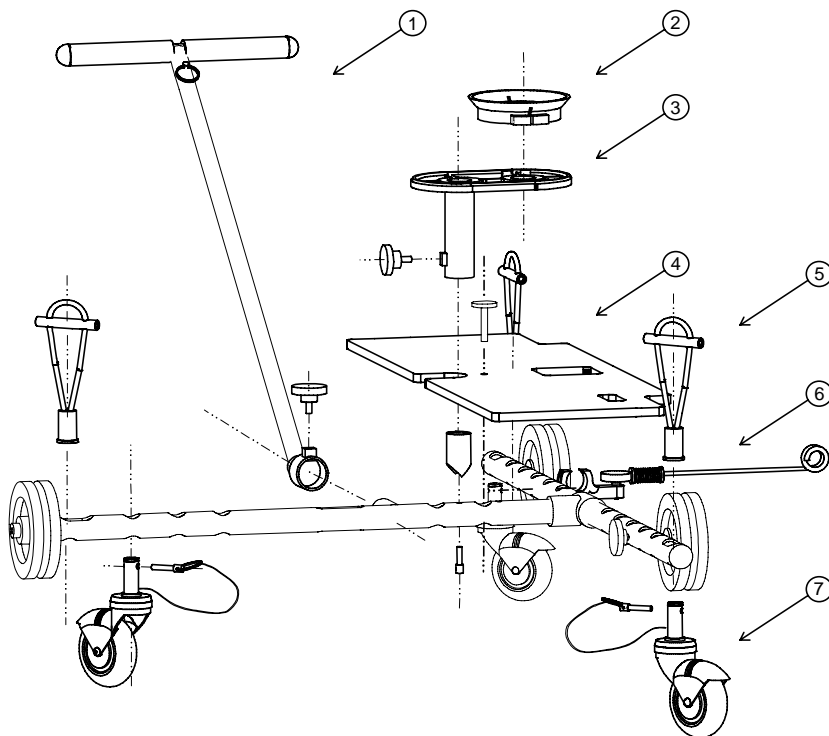
Dolly Tripod Tiedowns

Parts List

1. 7/32" Allen Wrench
2. Mount Cylinder x 3
3. Cylinder Set Screw x 3
4. 3/16" Allen Wrench
5. Footbar Set Screw x 6
6. Tripod Footbar x 3
7. Elastic Cord x 3

3D Dolly Tripod Tiedown

© COPYRIGHTED 2006 MICRODOLLY, INC.



Dolly Accessories

1. Dolly Push Bar
2. 100mm Cup
3. Camera Hi-HaT
4. Dolly Platform
5. Tri-pod Tie-down x3
6. Cable Puller
7. Studio Wheels x3

3D Dolly Accessories

© COPYRIGHTED 2006 MICRODOLLY, INC.